

ASSEMBLY INSTRUCTIONS

! Failure to read and follow all instructions and warnings may result in injuries or death.

***** Two person assembly recommended

ASSEMBLY PREPARATION: **IMPORTANT: ASSEMBLE ON A LEVEL, CLEAN SURFACE**

TWO PERSON
(RECOMMENDED)



SAFETY GLOVES



SAFETY GLASSES



SCREWDRIVER (PHILLIPS HEAD)

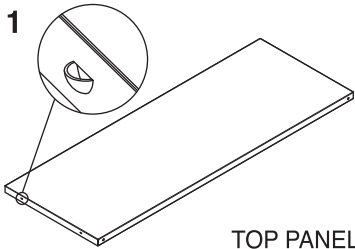


SCREWDRIVER (FLAT HEAD)



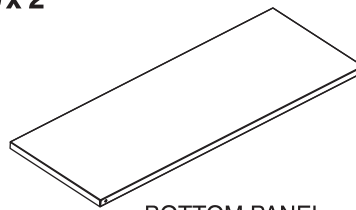
LIST OF PARTS: **PANELS**

A x 1



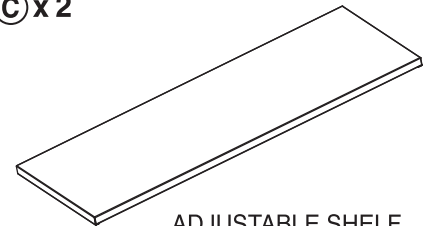
TOP PANEL

B x 2



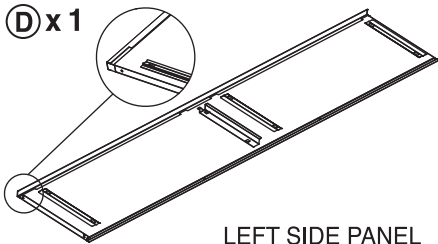
BOTTOM PANEL

C x 2



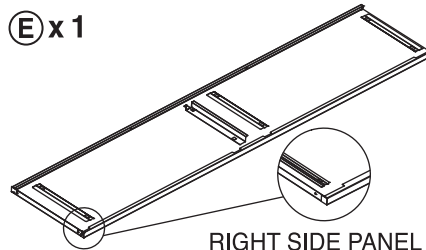
ADJUSTABLE SHELF

D x 1



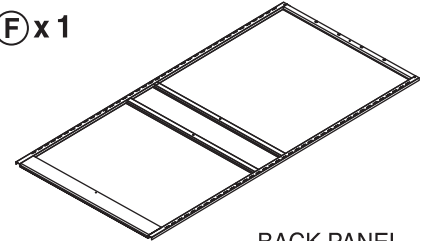
LEFT SIDE PANEL

E x 1



RIGHT SIDE PANEL

F x 1



BACK PANEL

SAFETY:



- Read these instructions carefully and thoroughly. Keep these instructions.
- During assembly, keep small parts out of reach of children.
- Keep packaging and plastic bags away from children for fear of suffocation.
- When unpacking the product, take out all parts and place on top of the carton or another clean surface.
- Before assembly, compare all the unassembled parts with the 'List of Parts' diagrams below, making sure all parts are present.
- Clear the work area of any potential hazards before commencing work and the assembly process.
- Before use, make sure this product is assembled as shown in the instructions.

WARNING:



- Always wear gloves when assembling the unit to prevent injury.
- Never exceed the maximum shelf load of 40kg.
- Load smaller stable items inside the top double doors compartment, heavier and bulkier items should be stored inside the lower double doors compartment.
- Loads on shelves must be evenly distributed so that no harm is done to the shelves.
- Spilled liquids can damage shelves. Replace shelves if this happens.
- When assembling, keep this product away from electric conduits.
- Only erect this product on horizontal, smooth floors, or stability and maximum load-bearing capacity cannot be guaranteed.
- Never allow children or adults to climb or hang on this product.
- For extra safety, cabinets should always be assembled with a suitable wall mounting bracket (sold separately).
- Please only use wall plugs, retaining screws and brackets which are suitable for your type of wall and the weight of the unit.

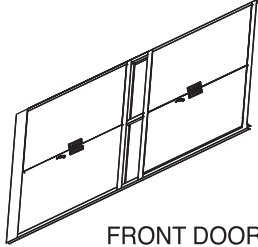
ASSEMBLY INSTRUCTIONS

⚠ Failure to read and follow all instructions and warnings may result in injuries or death.

* Two person assembly recommended

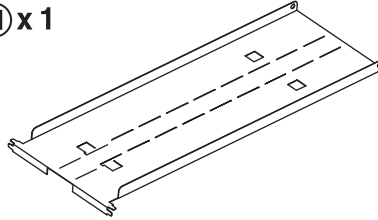
LIST OF PARTS: PANELS (cont)

Ⓒ x 1



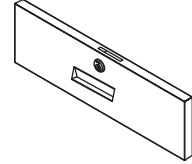
FRONT DOOR FRAME

Ⓗ x 1



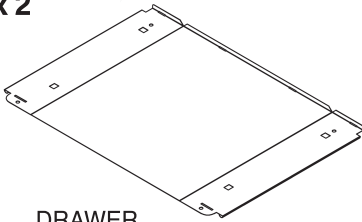
VERTICAL MIDDLE SLIDE FRAME

Ⓘ x 2



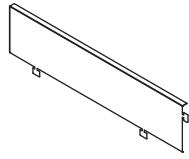
DRAWER FRONT PANEL

Ⓙ x 2



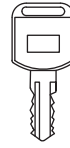
DRAWER

Ⓚ x 2



DRAWER BACK PANEL

Ⓛ x 2



KEY

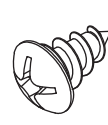
INTERNAL PARTS:

① x 8



SHELF SUPPORT

② x 11



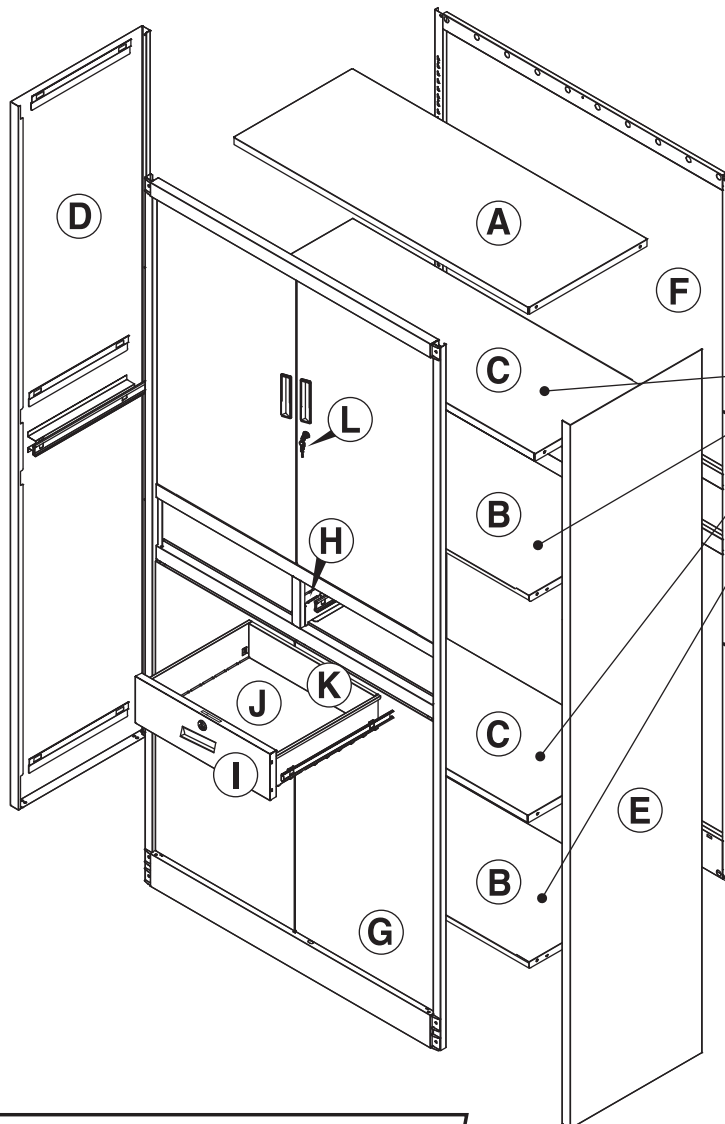
SCREW

③ x 2 PAIRS



SLIDES

PANEL PLACEMENT:



LOAD RATING: Never exceed the maximum shelf load of 40kg

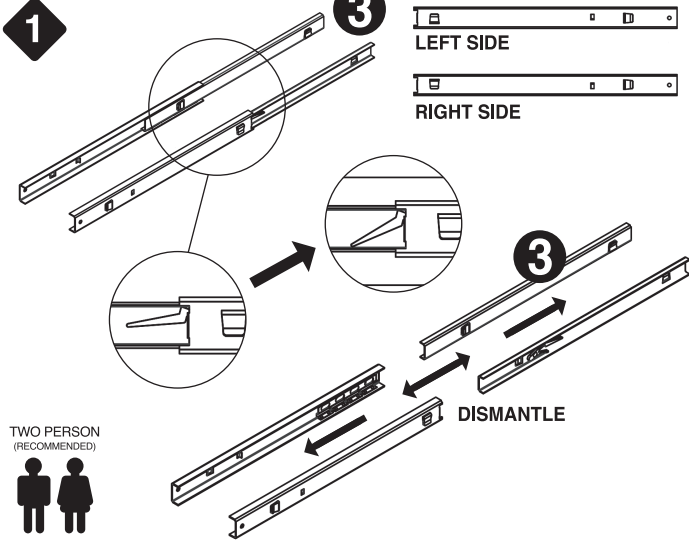
ASSEMBLY INSTRUCTIONS

⚠ Failure to read and follow all instructions and warnings may result in injuries or death.

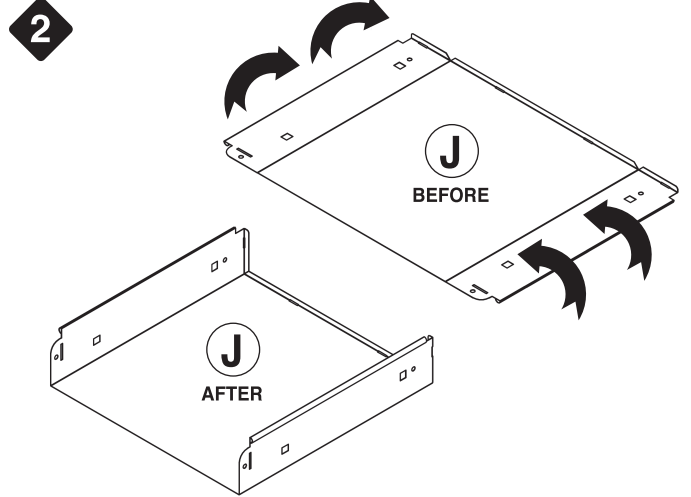
* Two person assembly recommended

ASSEMBLY: IMPORTANT: ASSEMBLE ON A LEVEL, CLEAN SURFACE

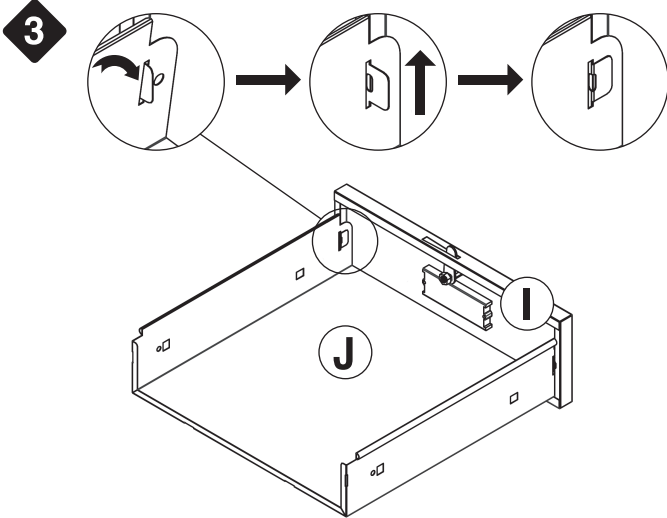
STEP



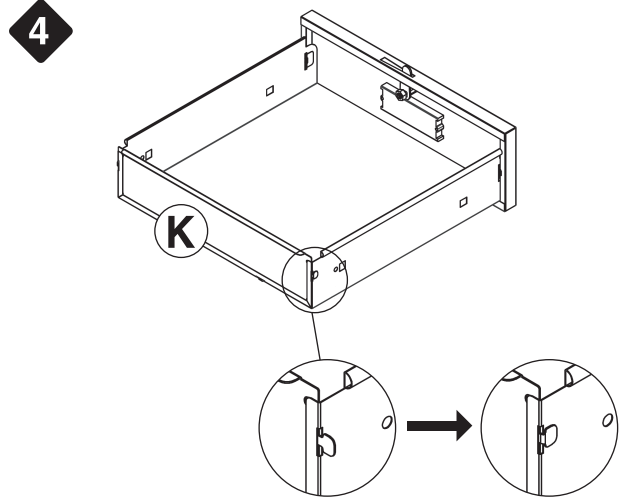
STEP



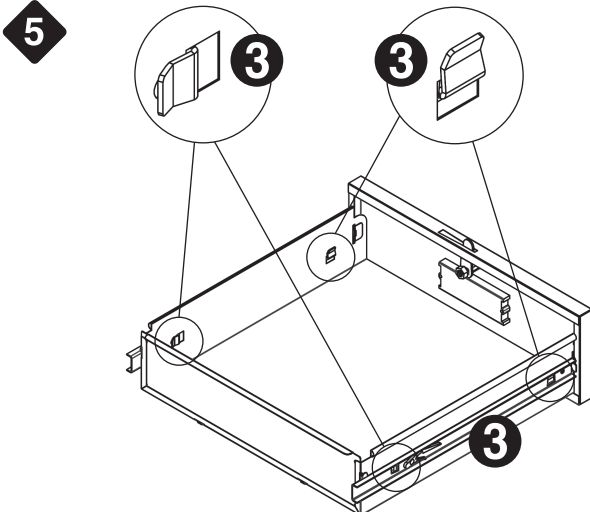
STEP



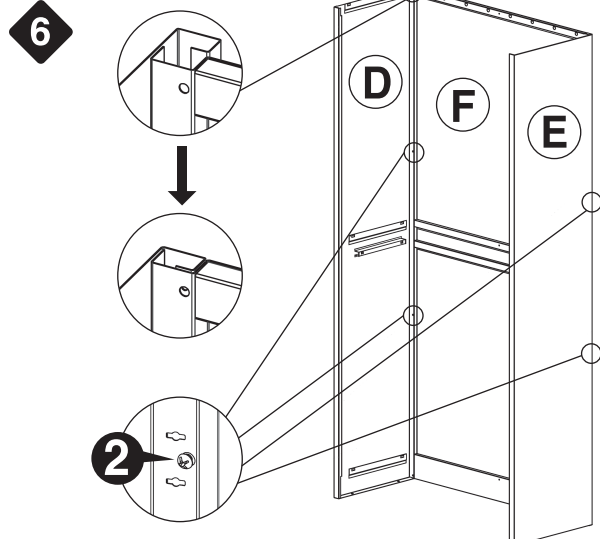
STEP



STEP



STEP



ASSEMBLY INSTRUCTIONS

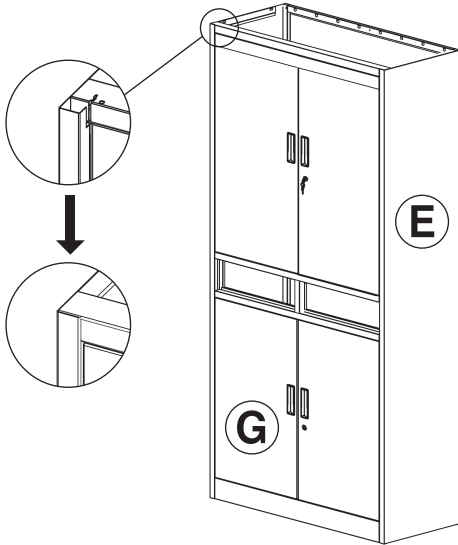
! Failure to read and follow all instructions and warnings may result in injuries or death.

***** Two person assembly recommended

ASSEMBLY: IMPORTANT: ASSEMBLE ON A LEVEL, CLEAN SURFACE

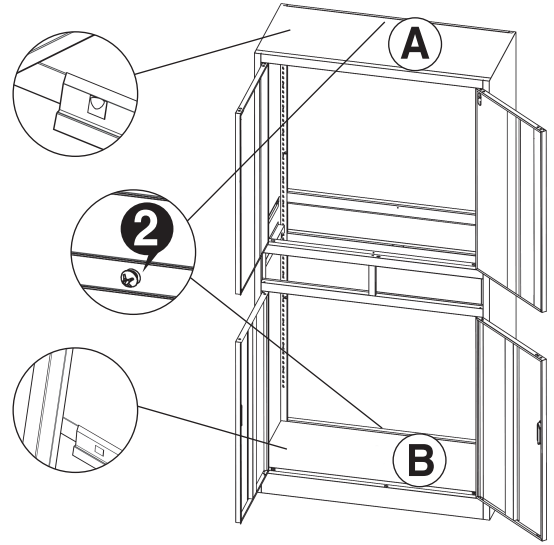
STEP

7



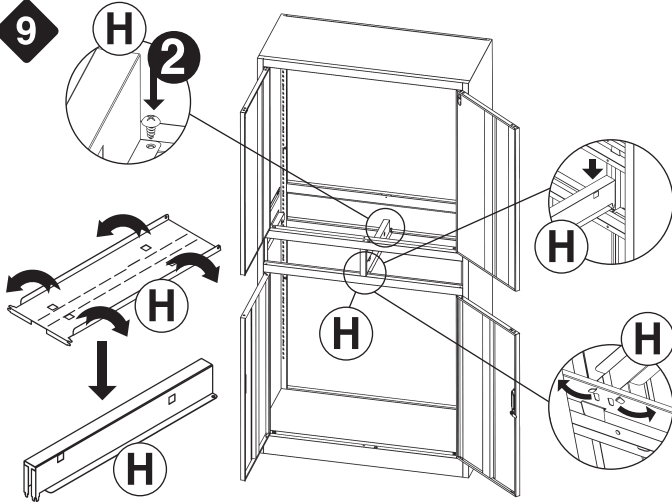
STEP

8



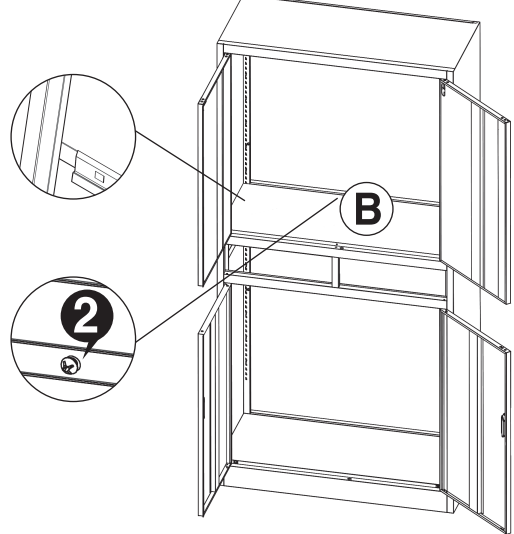
STEP

9



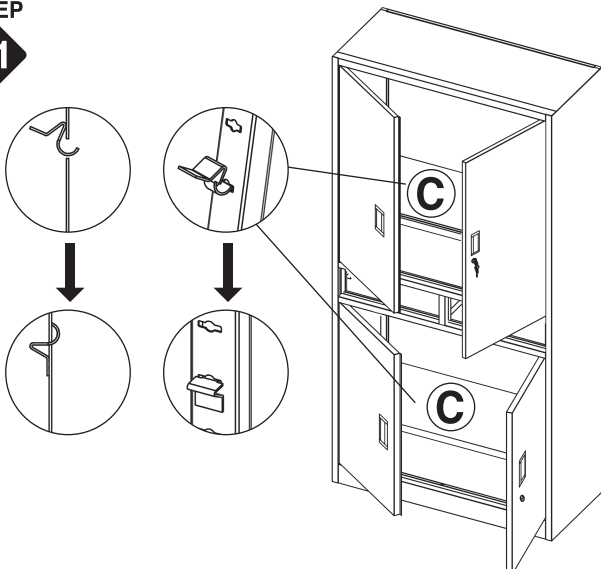
STEP

10



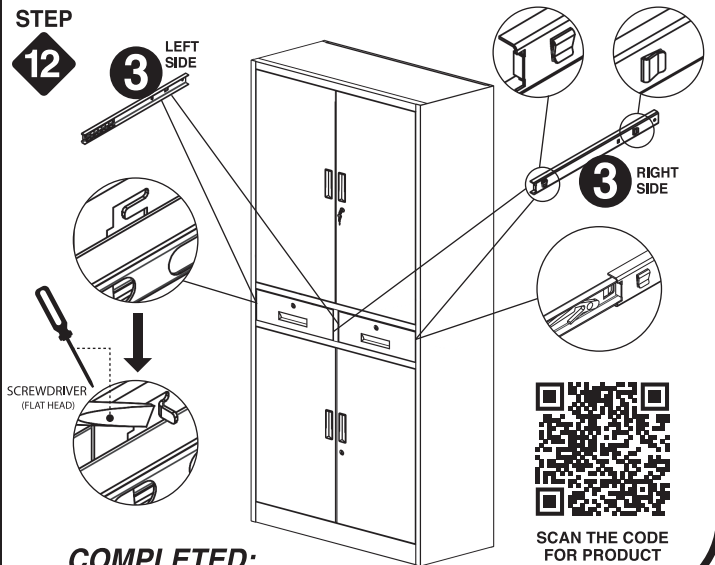
STEP

11



STEP

12



SCAN THE CODE
FOR PRODUCT
INFORMATION